

STORAGE

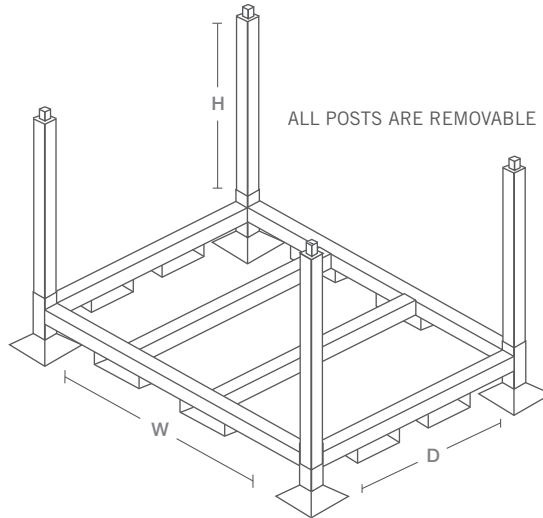
+ RACKS	1
+ BINS	2



WWW.WILLOC.COM • 1.800.801.0123
2150 106TH LANE NE, BLAINE, MN 55449

SIZE	PART NUMBER	PIECE CAPACITY				
STORAGE RACK CAPACITY						
		4" *	6" *	8" *	10" **	12" **
LARGE	PIPERACK-L	42 pcs	25 pcs	16 pcs		
X-LARGE	PIPERACK-XL			24 pcs	24 pcs	15 pcs

* Optimum capacity for a 20' Wil-loc pipe. // **Optimum capacity for a 10' Wil-loc pipe. // Specifications subject to change without notice.



STORAGE RACK SPECS							
SIZE	TRAILER CONFIG.	CAPACITY	WEIGHT	HEIGHT	TOTAL HT.	DEPTH	WIDTH
LARGE	1 accross	2500 lbs	175 lbs w/ posts	43.75"	49.25"	37.0"	91.0"
X-LARGE	2 accross	3000 lbs	220 lbs w/ posts	43.75"	49.25"	80.0"	91.0"



FOOT PADS :
6" x 6" target leg pads provide a sturdy base for stacking.



FORK SLEEVES :
Two sets of fork sleeves allow for easy moving of racks.



REMOVABLE POSTS :
Leg posts are removable for ease of shipping, storage and assembly.

WIL-LOC PIPE & HOSE STORAGE RACKS :

Yard space is always at a premium, and with product continually moving in and out, you need a storage system designed to handle this tough environment.

Wil-loc Pipe Racks increase storage space, improve efficiency in transport and prevent pipe damage. Racks are transportable and stackable, and have heavy-duty loading fork sleeves on all sides for easy loading onto a flatbed trailer.

Job site tough, Wil-loc Pipe Racks will also decrease assembly and disassembly times on long pipe runs.

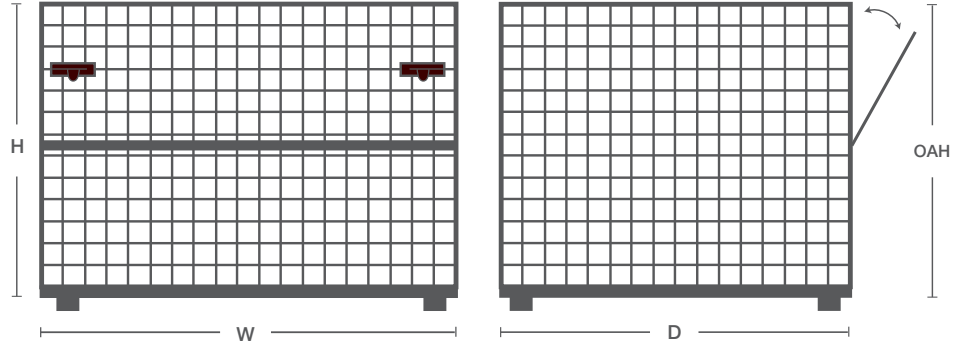
- + Saves valuable yard space
- + Prevents pipe & coupling damage
- + Helps manage job site inventory
- + Powder coat painted finish
- + Heavy-duty fork sleeves
- + 3,000 lb. load capacity
- + Can stack three high
- + 6" x 6" stacking targets
- + Removable posts
- + Breaks down when not in use

PRICE AND DISCOUNT STRUCTURES SUBJECT TO CHANGE WITHOUT NOTICE.

PART NUMBER

STORAGE BINS

LARGE	WIREBSKT-L
X-LARGE	WIREBSKT-XL



STORAGE BIN SPECS

SIZE	CAPACITY	WEIGHT	HEIGHT	WIDTH	DEPTH	OATH
LARGE	4,000 lbs	154 lbs	30.0"	48.0"	40.0"	36.0"
X-LARGE	4,000 lbs	187 lbs	36.0"	48.0"	40.0"	42.0"

Specifications subject to change without notice.

PRICE AND DISCOUNT STRUCTURES SUBJECT TO CHANGE WITHOUT NOTICE.



FOOT PADS :
Galvanized steel foot pads are designed for high load capacity and stacking.



DROP GATE :
A half-drop gate allows easy access and identification of parts.



LATCHES :
Two slide latches secure the front gate and maximize storage.

WIL-LOC COUPLING STORAGE BINS :

Wil-loc Coupling Storage Bins simplify the management of your coupler inventory at your warehouse, distribution center or on the job site.

Available in two high-volume sizes, these wire mesh containers are constructed of welded galvanized steel and can handle a 4,000 lb. load capacity. Bins are stackable and have a half-drop gate on the long side of each container for easy access and identification of contents.

Wil-loc Coupling Storage Bins reduce product damage, improve efficiency in transport and provide better utilization of warehouse space.

- + Bins are ideal for jobsite inventory management, reducing equipment loss
- + Heavy-duty foot pads allow containers to be stacked four high
- + Wire mesh base will not collect dust, moisture or debris
- + Containers break down for storage
- + 4,000 lb. load capacity
- + Locking half-drop gate make contents easy to access and identify

