

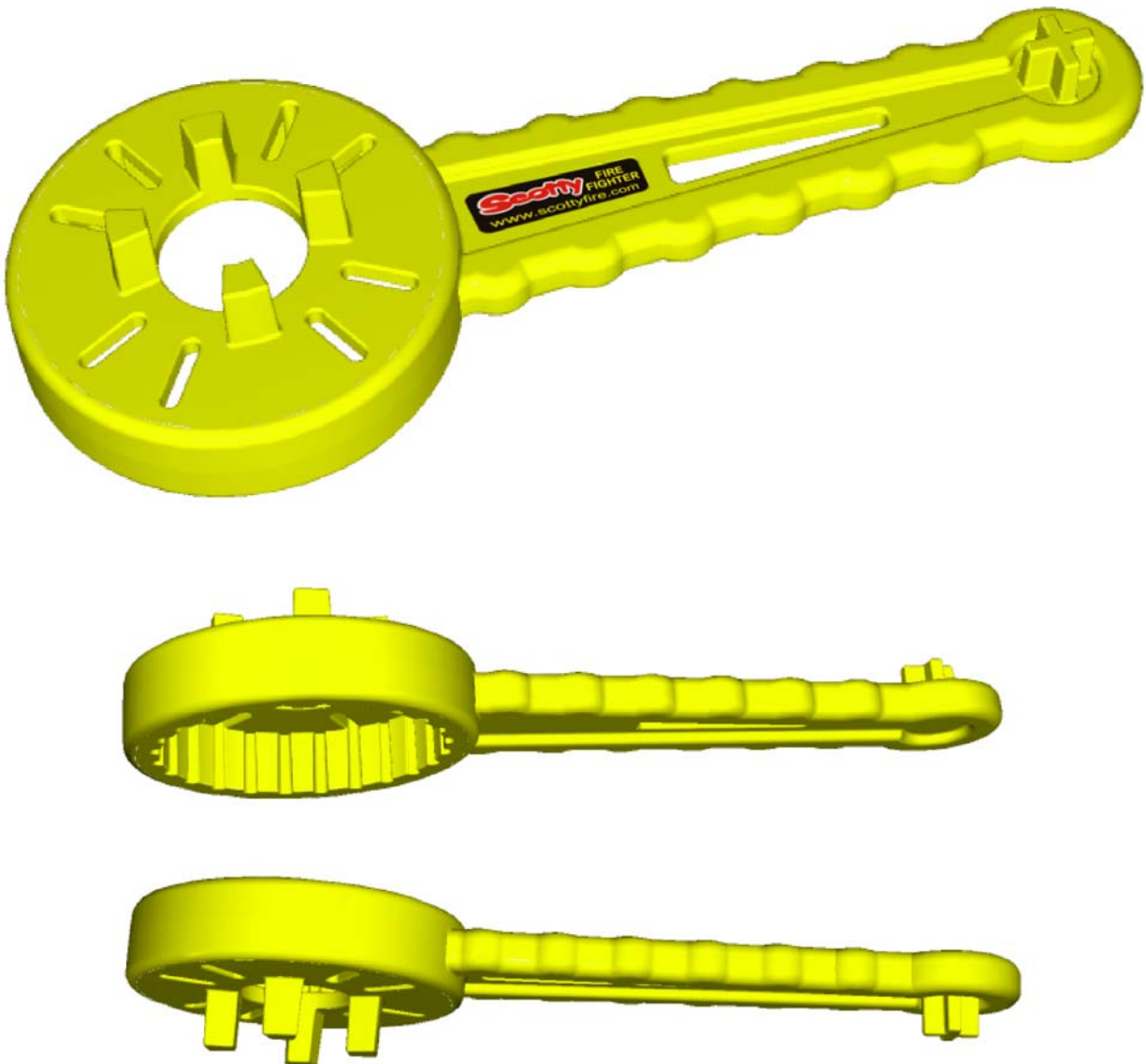


"Leading the World in Affordable, Effective Portable Foam Systems"

4578

PAIL & DRUM WRENCH

The Scotty 4578 Pail & Drum Wrench is designed to loosen and tighten the caps found on standard 5 gallon foam pails and both the large and small bungs on 55 gallon drums. The 4578 is made from incredibly tough, glass-filled nylon, comes in high visibility colors and is spark and corrosion proof. The 4578 Wrench is 10" (254mm) long and weighs just 6.5 ounces (185g).



Manufactured by:

SCOTT PLASTICS LTD.

2065 Henry Ave West, Sidney, B.C., Canada V8L 5Z6

T: (250) 656-8102 F: (250) 656-8126 www.scotty.com

4578Pail&Drum.doc