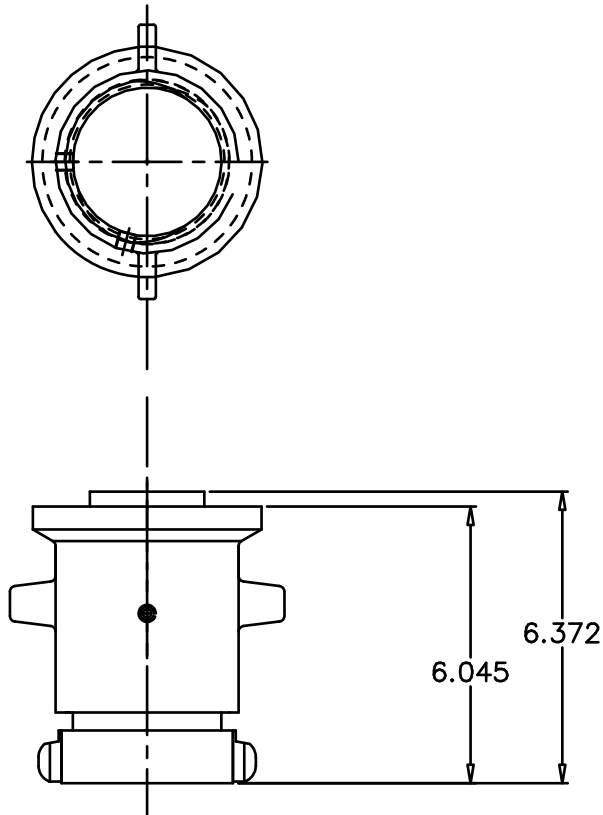


DIMENSIONS ARE SUBJECT TO MANUFACTURERS TOLERANCE AND CHANGE WITHOUT NOTICE. WE CAN ASSUME NO RESPONSIBILITY FOR USE OF SUPERSEDED OR VOID DATA. THIS PRINT IS CONFIDENTIAL AND IS LOANED FOR MUTUAL ASSISTANCE. IT IS NOT TO BE FORWARDED TO OTHER PARTIES NOR REPRINTED IN ANY FORM WITHOUT OUR WRITTEN PERMISSION.



FIREPRO <small>NOZZLES MONITORS</small> City of Industry, CA (877)917-5800 or (626)336-4561 www.firepromonitors.com	TITLE 1000 BCG				DRAWING CLASSIFICATION HALB		
	JOB OR SECTION FIREPRO NOZZLES				DRAWING NUMBER FP1000 BCG		
	SCALE 3/8	DATE 1/14/04	DRN. BY ETA	BUILDING DESTINATION	ECO REVISION	REV. DATE	EFFECTIVITY DATE

TOLERANCES: UNLESS OTHERWISE NOTED, DECIMAL DIMENSIONS .XXX=+/-0.005, .XX=+/-0.015, BREAK ALL SHARP CORNERS, ALL RADII MINIMUM